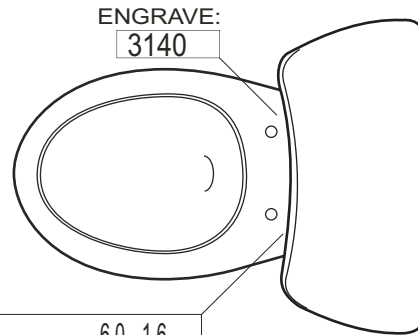
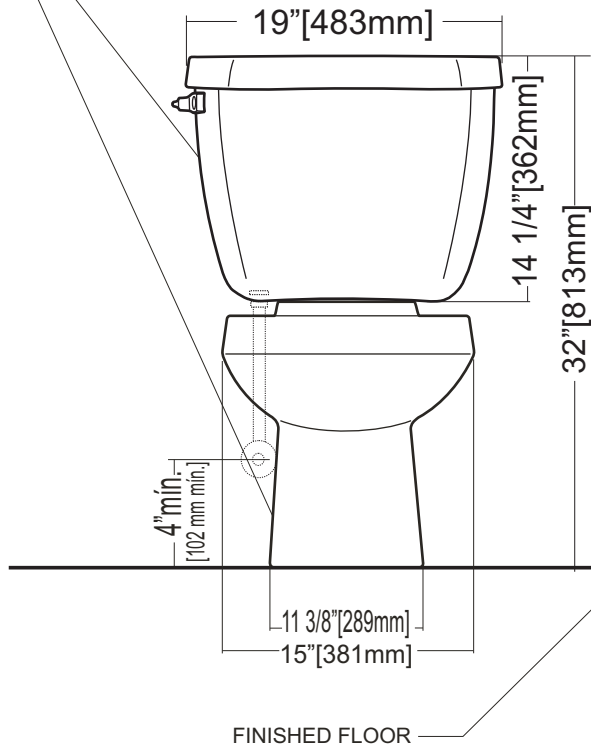


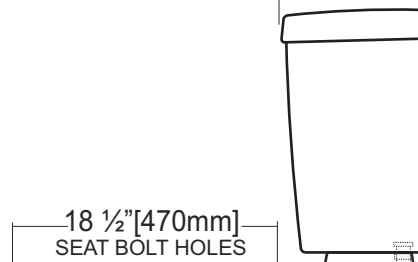
LABEL COMPLIES WITH:
ASME A112.19.2-2008/CSA B45.1-08



ENGRAVE:
SASA 3469
6.0 Lpf
1.6 gpf
HECHO EN MEXICO

DATE OF MANUFACTURE
WATER LINE ON FLUSH VALVE

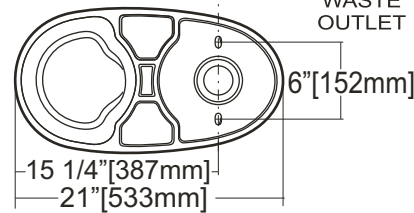
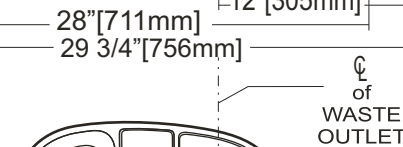
SASA 6.0 1.6
Lpf gpf



FINISHED WALL

LABEL behind of the tank lid:
To maintain original flush volume use a flush valve seal V239
For replacement parts contact: Sanitarios Lamosa, S. A. de C. V.
USA 866-821-2811 / CAN 866-363-1365
techsupport@vortens.com
Model 3469-V

FINISHED FLOOR



Dimensions meet ASME A112.19.2-2008/CSA B45.1-08

Material: Vitreous China



PROYECTO: LISTING	DIBUJO: JOSÉ CARRIZALES
CODIGO: FORZA ADA - 3469-V 3140-V - 3469-V	EDICION: 01
FECHA: 13 Mar 12	PESO: Tank 33 Lbs. Bowl 59 Lbs.

SANITARIOS LAMOSA S.A. DE C.V.
CENTRO DE DESARROLLO DE NUEVOS PRODUCTOS